

WOOD STONE

FOR THE HOME • MT. CHUCKANUT 4'



FEATURES

- Standard door opening: 19.75 inches wide x 10 inches high
- 7 square feet of cooking surface which allows for the preparation of an array of foods - perfect for entertaining
- 4-inch thick monolithic ceramic floor and monolithic dome provide greater strength and more even heat distribution (compared to tile floors and multi-piece domes)
- Ceramic interior is heated by an adjustable radiant flame burner in the back of the oven which provides a powerful and attractive yellow flame
- Appliance body is enclosed with steel and the service panel and toe kick are made of stainless steel. The unit is supported by a black, heavy-duty steel stand
- Only 1-inch side and back clearance to combustible building materials required
- ETL Listed for residential indoor or outdoor installation
- Comes standard with stainless steel mantel and log set
- Made in the USA

MODEL OPTIONS

Gas-Fired:

Natural Gas: WS-MH-4-RFG-IR-NG

Liquid Propane: WS-MH-4-RFG-IR-LP

please note: gas type (NG) or (LP) must be specified at time of order

Wood-Fired Only: WS-MH-4-W

Combination: WS-MH-4-RFG-IR-W-(NG or LP)

STONE HEARTH CAPACITY

8" pizza: 12

10" pizza: 9

12" pizza: 6

14" pizza: 4

OPTIONAL ACCESSORIES

- Doorway and Service Panel Extensions
- Stainless Steel Oven Tool Set & Tool Hanger
- Black Granite Mantel
- Variable Speed Exhaust Fan
- Custom Finishes
- Wood Burning Option
- Wood Burning Accessories

Air Quality Restrictions and Wood Burning Regulations.

Our wood-fired ovens and gas/wood combination ovens are usually classified as wood burning (solid fuel) cooking equipment and are often exempt from wood burning restrictions that pertain to wood stoves and other wood-fired heating appliances. If there are wood burning restrictions in your area, please check with the appropriate local and state air quality agencies to determine what, if any, restrictions may apply to solid fuel burning cooking equipment. For areas where wood burning is restricted, our gas-fired ovens are an exceptional alternative.



REVISED: November 2022, r05

Wood Stone Corporation

1801 W. Bakerview Rd.
Bellingham, WA 98226 USA

Toll Free 800.578.6836
Fax 360.734.0223

woodstonehome.com
info@woodstonehome.com

⚠ WARNING Cancer and Reproductive Harm - www.P65Warnings.ca.gov

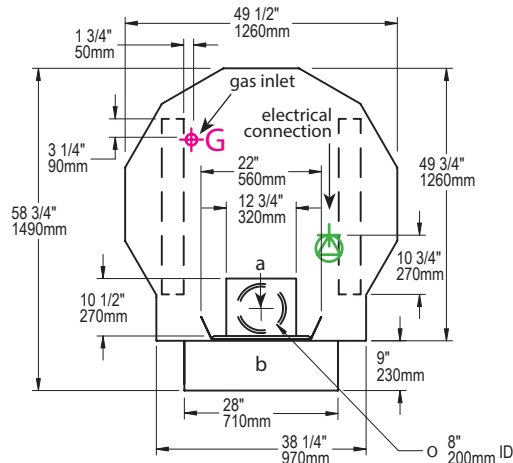
An ongoing program of product improvement may require us to change specifications without notice.

WOOD STONE

FOR THE HOME • MT. CHUCKANUT 4'



plan view

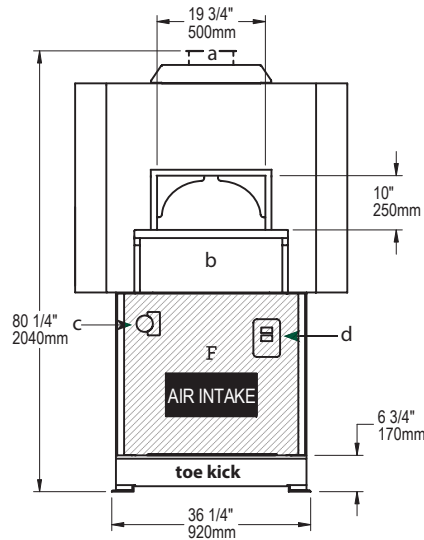


facade information

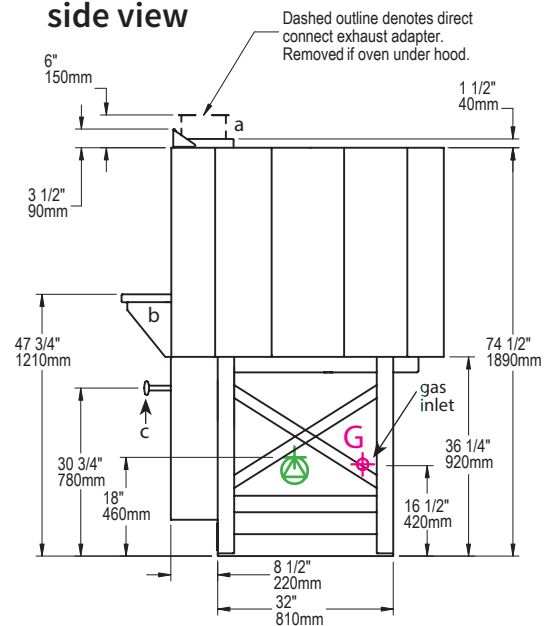
- All facades or enclosures are by others; all appliances require a 1-inch side clearance, and a 6-inch top clearance to combustible construction. Any construction above, and 6 inches to either side of the appliance doorway must be non-combustible. See installation manual for details.
- Any facade or enclosure below the mantel of Gas-Fired and Combination appliances must allow the following:
 - Unobstructed access 16 inches to each side of centerline for removal of service/intake panel.
 - Easy access to all controls.
 - Sufficient combustion air for gas burners from the front; see installation manual for details.

a	flue collar
b	mantel
c	flame height control knob
d	digital controller
MUST BE LEFT REMOVABLE FOR SERVICE	
<p>please note: the air intake panel must be left open (do not cover/facade over) to allow for proper airflow.</p>	

front view



side view



UTILITIES ⚡G

Gas: 3/4 inch gas inlet (FNPT)
 115,000 BTU/hr Natural Gas (NG) Supply
 OR
 102,000 BTU/hr Propane (LP) Supply

ELECTRICAL ⚡

120 VAC, 1.1 amp, 60 Hz
 All utility connections made on appliance as shown

 WOOD-FIRED ONLY:
 120 VAC, 1.1 amp, 60 Hz
 Connection made to readout box

VENTING

This MH appliance vents through an 10-inch O.D. flue collar located above the doorway. Direct connect to a Listed building heating appliance chimney, also Listed as a grease duct, or a grease duct constructed in accordance with NFPA 96 and all relevant local and national codes, and in a manner acceptable to the authority having jurisdiction. Most installations will require an exhaust fan. See the installation manual for details.

⚠ WARNING Cancer and Reproductive Harm - www.P65Warnings.ca.gov

unit shipping weight: 2,500 lbs

woodstonehome.com | 800.578.6836