

WOOD STONE

FOR THE HOME • PROFESSIONAL SERIES GRILL



Shown with stainless steel cover

Professional Series Grill

MODEL OPTIONS

Wood-Fired:

Countertop: WS-PWG-5426-CT

With Stand & Casters: WS-PWG-5426-00

With Stand & Legs: WS-PWG-5426-01

OPTIONAL ACCESSORIES

- a. Broiler Shelf
- b. Stainless Steel Shelf
- c. Sauce Pan Racks
- d. Skewer (Satay) Rack



FEATURES

The 26" deep Professional Series Grill is an open top grill that features a "heat-sink" style firebox cast from our dense, durable high-temperature ceramic. The firebox is designed to store and radiate heat evenly. The grill is comprised of eight 6" x 16" sliding cast iron grates which rest on our unique warp-resistant, stainless steel frame system. The entire grill frame slides toward the front or back of the unit to facilitate easy fire access. A blazing fire along the rear of the firebox will produce coals, which when pulled forward, will keep the entire firebox saturated with heat. An experienced solid fuel grill operator will be impressed by the even heat delivery and fuel-saving design of the Professional Series Grill. The Professional Series Grill is available in a countertop configuration for installation on a suitable non-combustible base (by others), or on a stand equipped with heavy duty casters or legs. A Stainless Steel Rain Cover, Particle Shovel, T-Style Brass-Bristled Brush and Grate Tool are included with the grill.

The unit arrives completely assembled, ready to install and is made in the USA. Information about tools and accessories can be found online at: woodstonehome.com.

Air Quality Restrictions and Wood Burning Regulations.

Our wood-fired appliances are usually classified as wood burning (solid fuel) cooking equipment and are often exempt from wood burning restrictions that pertain to wood stoves and other wood-fired heating appliances. If there are wood burning restrictions in your area, please check with the appropriate local and state air quality agencies to determine what, if any, restrictions may apply to solid fuel burning cooking equipment.



November 2022

Wood Stone Corporation

1801 W. Bakerview Rd.
Bellingham, WA 98226 USA

Toll Free 800.578.6836
Fax 360.734.0223

woodstonehome.com
info@woodstonehome.com

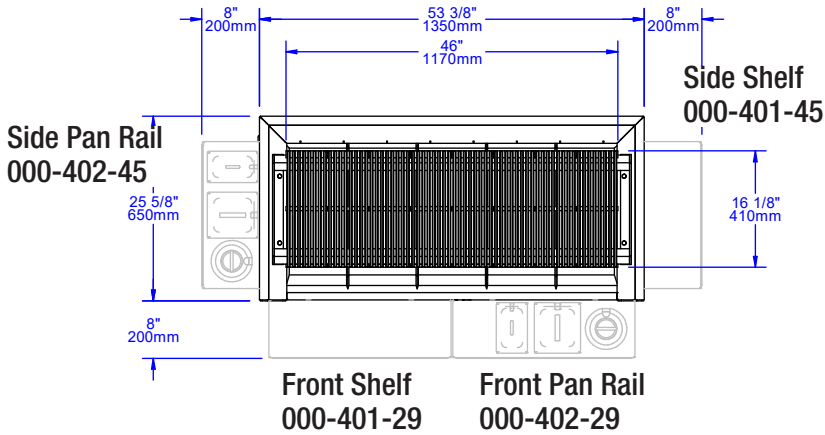
▲WARNING Cancer and Reproductive Harm - www.P65Warnings.ca.gov

An ongoing program of product improvement may require us to change specifications without notice.

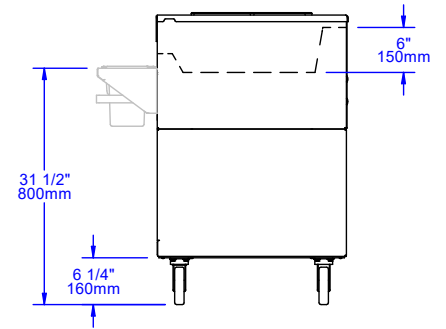
WOOD STONE

FOR THE HOME • PROFESSIONAL SERIES GRILL

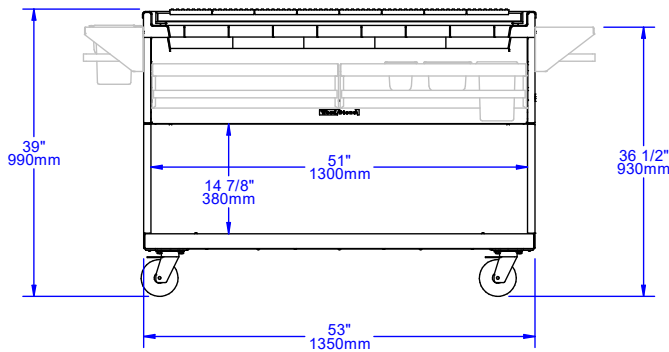
plan view



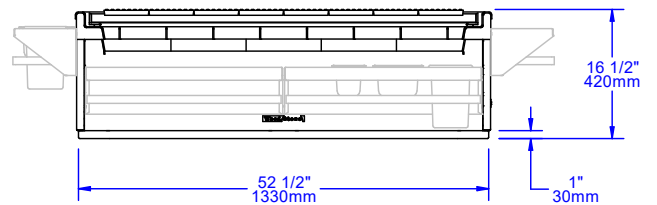
side view



front view



front view-CT



DO NOT INSTALL THIS APPLIANCE INDOORS

Install in accordance with all relevant local and national codes, and in a manner acceptable to the authority having jurisdiction. Installation in a covered area will require an appropriate means of venting. See the installation manual for details.

⚠ WARNING Cancer and Reproductive Harm - www.P65Warnings.ca.gov

unit weight: 845 lbs

approximate shipping weight: 1,045 lbs

woodstonehome.com | 800.578.6836